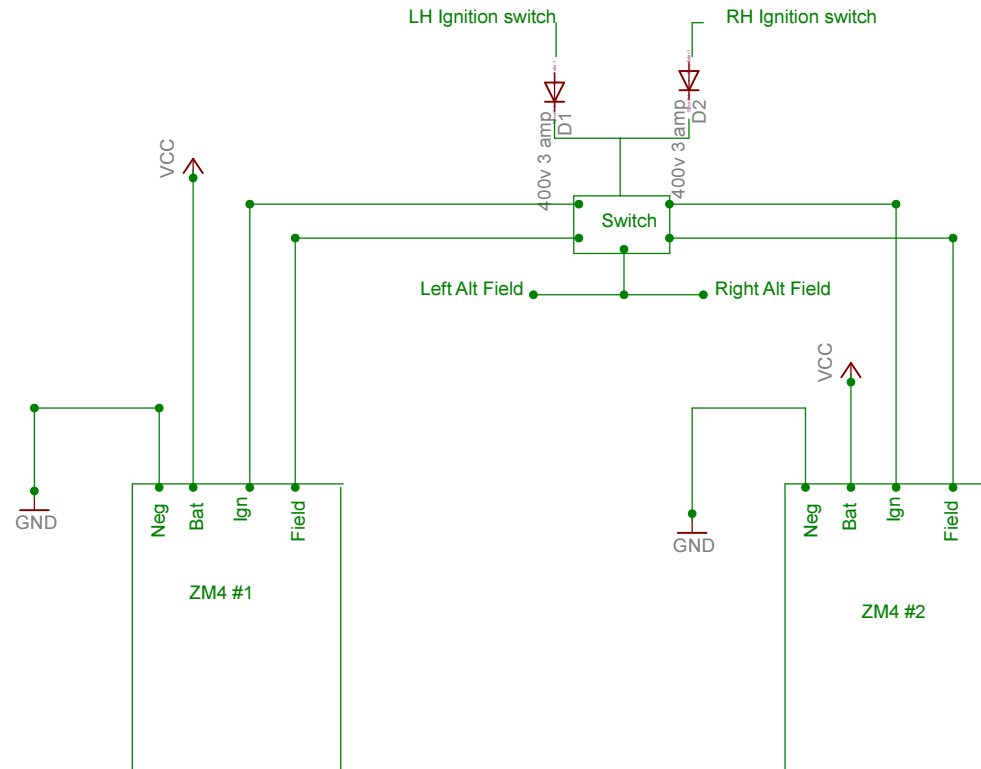


### Twin engine Installation suggested wiring configuration



Switch to be ON/ON type only  
 Jaycar Switch number ST-0575  
 Diodes to prevent voltage feed from one engine to the other  
 Diodes 400v 3amp minimum Jaycar IN5404  
 This set up allows for redundancy and also better parallel of alternators

Note: Some people set up different voltages for the two ZM4's. this way they can have a trolling voltage and a cruise voltage, you have to remember to switch over though.

ZM4 Twin engine install	
15/06/2013 11:35:41 a.m.	
Sheet: 1/1	